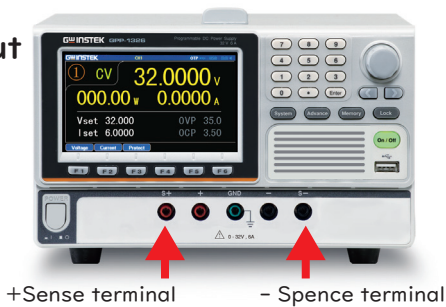


Multi-Channel Programmable Linear type of DC power supply

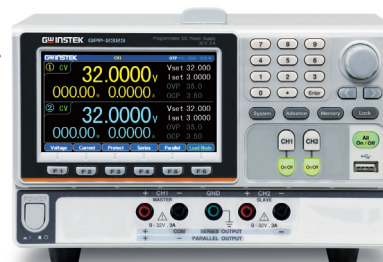
GPP series

Single-Output
GPP-1326



+Sense terminal -Sense terminal

Dual-Output
GPP-2323



Three-Output
GPP-3323



USB Type output terminal

Four-Output
GPP-4323



Interface

Standard:



Ext I/O USB(CDC), RS-232

Manufacturer Installed Only



LAN
+
GPIB



LAN

Power Mode

Model	GPP-4323				GPP-3323				GPP-2323		GPP-1323
Channel	CH1	CH2	CH3	CH4	CH1	CH2	CH3	CH1	CH2	CH1	
Voltage	0-32V	0-32V	0-5V	0-15V	0-32V	0-32V	1.8/2.5/3.3/5.0V	0-32V	0-32V	0-32V	
Current	0-3A	0-3A	0-1A	0-1A	0-3A	0-3A	5A max.	0-3A	0-3A	0-6A	
Series	0-64V / 0-3A		----		0-64V / 0-3A		----	0-64V / 0-3A		----	
Parallel	0-32V / 0-6A		----		0-32V / 0-6A		----	0-32V / 0-6A		----	

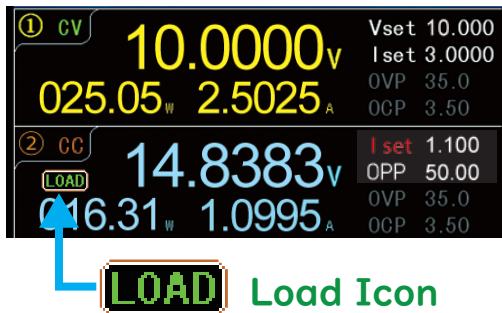
Function List

Models	GPP-4323			
	GPP-3323			
	GPP-2323			
	GPP-1326			
Functions	CH1	CH2	CH3	CH4
Sequence Output function	✓	✓		
Load Functions(CC, CV, CR mode)	✓	✓		
Output Delay function	✓	✓		
Output Monitoring Monitor(10 sets)	✓	✓	✓(GPP-3323 not supported)	✓
Output Recorder Function	✓	✓	✓(GPP-3323 not supported)	✓
Panel Save/ Recall	✓	✓	✓	✓

DC Electronic load function : CH1, CH2

The CH1/CH2 of the GPP series are designed with the DC load function.

Channel 1 and channel 2 not only provide power output but also feature built-in DC load function such as Constant Voltage load (CV), Constant Current load (CC) and Constant Resistance load (CR) function.

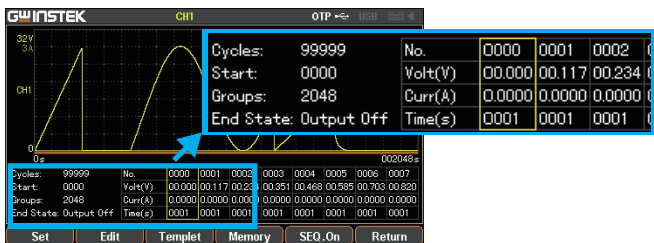


CH1 and CH2 DC Load Mode Specification

Display	Voltage	1 - 33.00 V
	Current	0 - 3.200 A (GPP-I 326: 0-6.200 A)
	Power	0 - 50.00 W (GPP-I 326: 0-100.00 W)
CV Mode	CH1/CH2	1.50V - 33.00 V
	Setting/Readback accuracy	≤0.1% + 30 mV
CC Mode	CH1/CH2	0 - 3.200 A (GPP-I 326: 0 - 6.200 A)
	Setting/Readback accuracy	≤±0.3% + 10 mA
CR Mode	CH1/CH2	1 Ω - 1 kΩ
	Setting/Readback accuracy	≤±(3%+1Ω) (voltage≥0.1V, and current≥0.1A)

Sequence function : CH1, CH2

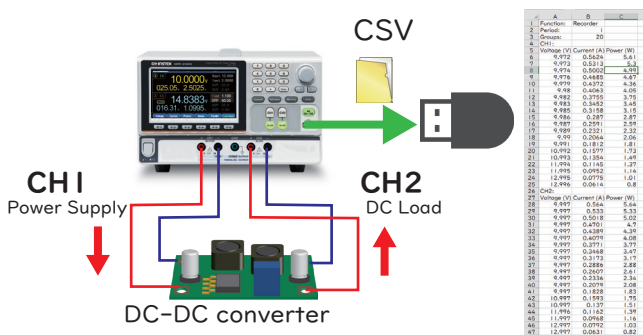
You can easily to create the sequence of OUTPUT Voltage or Current value or CV, CC value of DC load mode using a built-in template also set the steps manually.



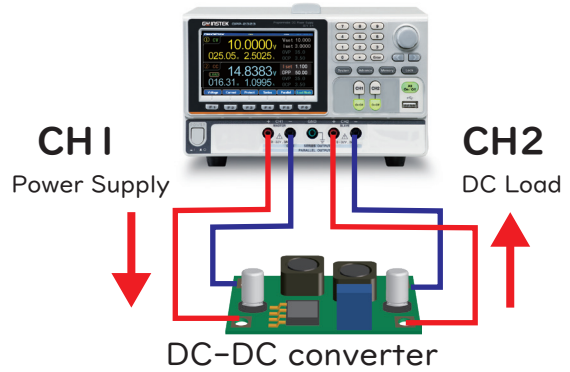
Cycles: 0 to 9999 or Infinite.
 Start: 0 to 2047, Groups: up to 2048 for Start+Groups
 Execution duration of each group. Range: 1s - 300s
 End Status : output termination or being hold with the last step

Recorder Function: CH1, CH2

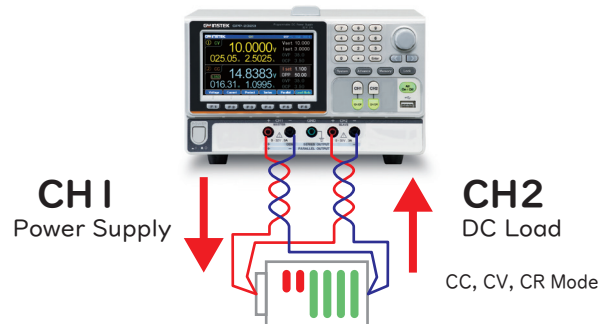
Recorder Function can store CH1 and CH2 Voltage / Current monitors in internal memory or USB flash disk. Output voltage and current of Power supply, input voltage and current of Electric load function.



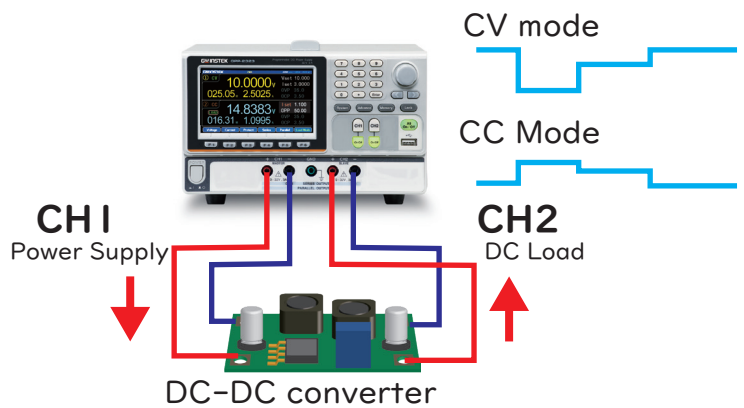
Example: DC-DC converter Test



Charging and discharging small batteries and battery cells



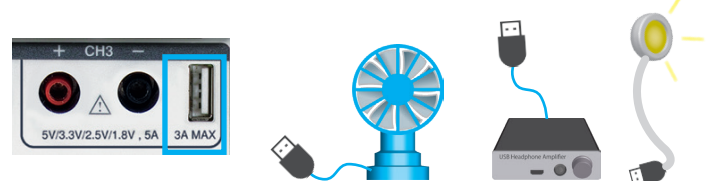
The OUTPUT Voltage/Current and CC/CV load function can be varied using the sequence function.



USB OUTPUT terminal: GPP-3323 only

You can connect the USB device directly.

GPP-3323 is equipped with USB terminal Shape Output.



Output: 1.8V/2.5V/3.3V/5.0V, ±0.35V, 3A max.
 USB terminal shape, Non-communication port.